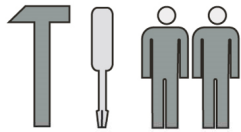
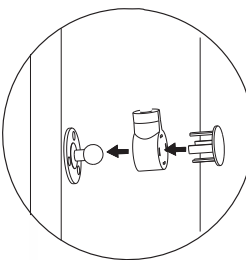
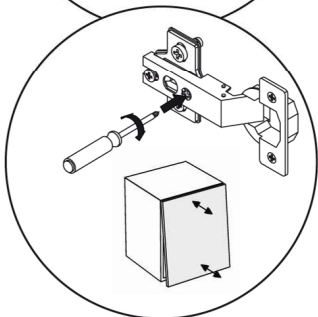
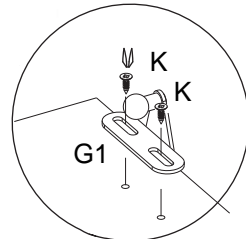
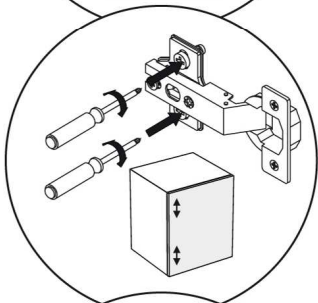
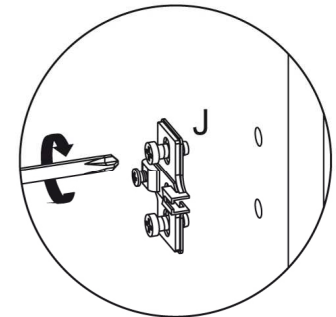
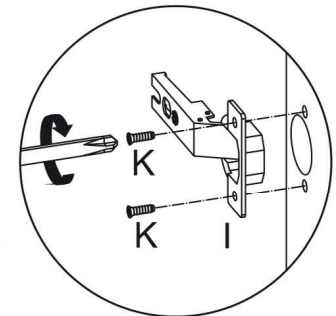
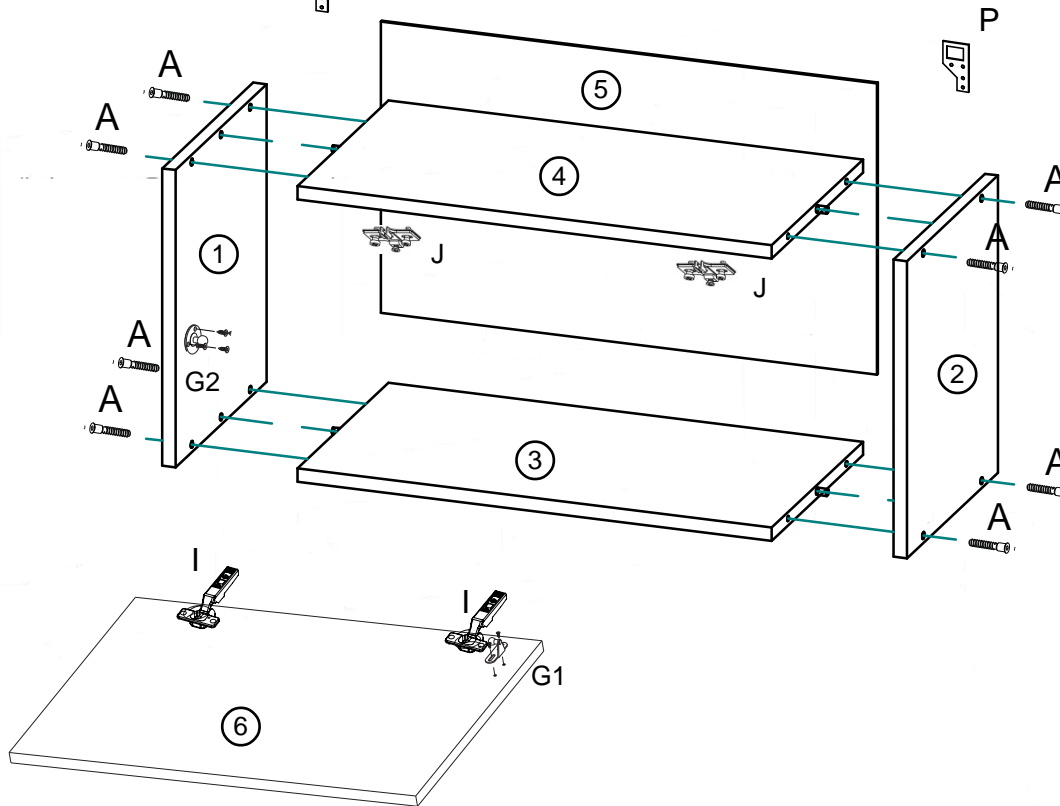
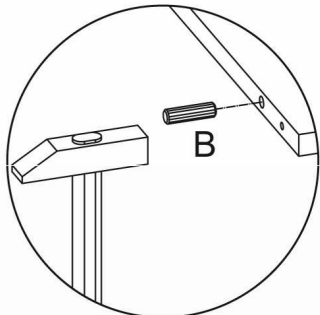
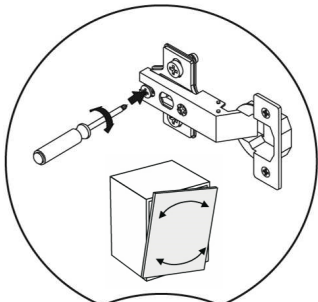
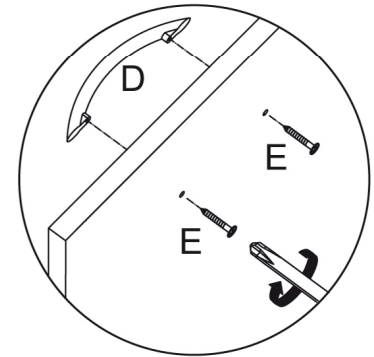
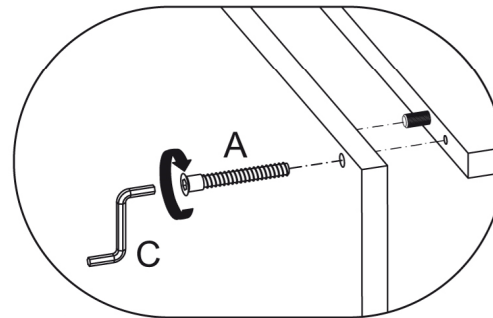
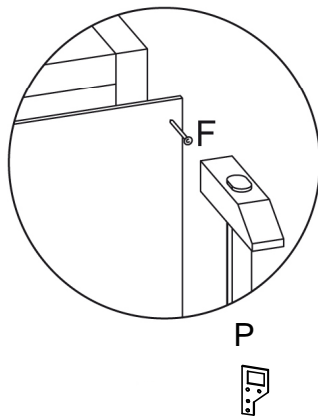
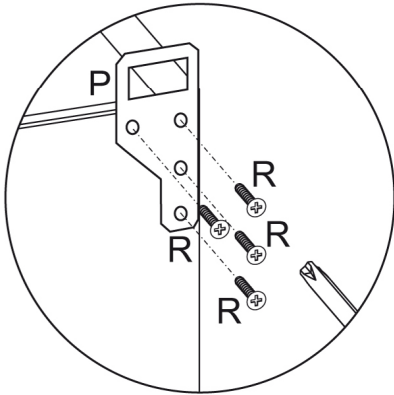


GO-60/36



8	4	1	1	2	~ 30	1	2	2	9	2	8



No packer:

Dear Customer.

We regret to inform you, that in time complaint please give No packer and No missing and spoil element.

